

InteliLite® MRS 11 / MRS 16

MANUAL AND REMOTE CONTROLLER



Description

InteliLite® MRS 11 and InteliLite®MRS 16 are new integrated controllers for single engine control in manual and remote start applications, featuring full gen-set monitoring and protection. InteliLite® controllers are equipped with a powerful graphic display. Icons, symbols and bar graphs for intuitive operation together with high functionality set new standards in gen-set control. Special low temperature (IL-MRS 11-LT or IL-MRS 16-LT) version is also available, allowing the display to work up to -30°C .

Benefits

- ▽ Less wiring and components
- ▽ Integrated solution
- ▽ Less engineering and programming
- ▽ Perfect price/performance ratio

Features

- ▽ Support of engines equipped with Electronic Control Unit – J1939 interface (IL-MRS 16 only)
- ▽ Automatic or manual start/stop of the gen-set
- ▽ Push buttons for simple control, lamp test
- ▽ Graphic back-lit LCD display 128×64 pixels
- ▽ 3 LED indicators
- ▽ Parameters adjustable via keyboard or PC
- ▽ 3 phase Generator protections
 - Over-/under voltage
 - Over-/under frequency
 - Current/voltage asymmetry
 - Overcurrent/overload
- ▽ Generator measurements (50/60 Hz): U1-U3, I1-I3, Hz, kW, kVAr, kVArh, kWh
- ▽ Selectable protections alarm/shutdown
- ▽ Analog oil pressure, water temperature, fuel level, battery voltage, engine speed (pick-up)
- ▽ Configurable programmable inputs and outputs
- ▽ Warm-up and cooling functions
- ▽ Generator C.B. control
- ▽ RS232 interface (AT-LINK CONV cable is necessary for IL-MRS 11)
- ▽ Modem communication support (IL-MRS 16 only)
- ▽ Dimensions 180×120 mm (front panel)
- ▽ Sealed to IP65

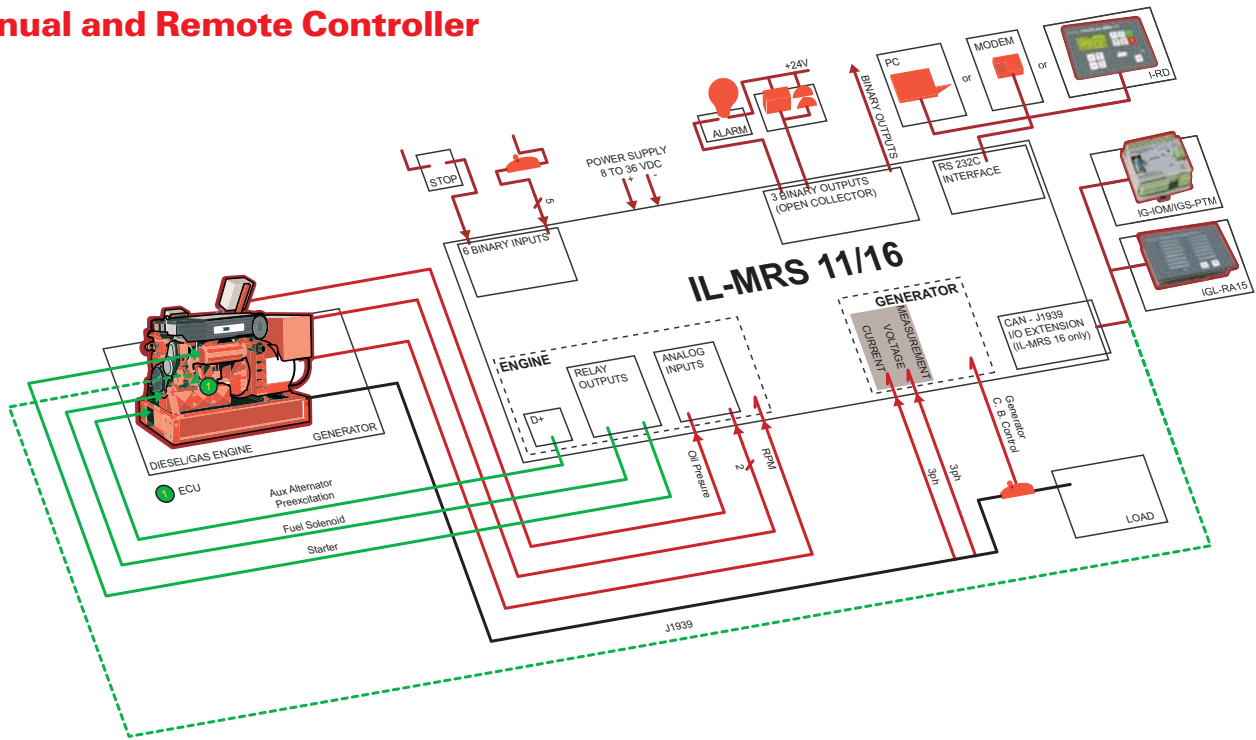


ComAp is a member of AMPS
(The Association of Manufacturers
of Power generating Systems).



ComAp products meet the highest standards, with every stage of production undertaken in accordance with the ISO certification obtained in 1998.

Manual and Remote Controller



The Chart of Functions of IntelliLite® Controllers

FUNCTIONS/CONTROLLERS	IL-MRS 10	IL-MRS 15	IL-MRS 11	IL-MRS 16	IL-AMF 20	IL-AMF 25
Binary inputs/outputs	6 / 6	6 / 6	6 / 6	6 / 6	7 / 7	7 / 7
Analog inputs	3	3	3	3	3	3
Pick-up	●	●	●	●	●	●
AMF function	-	-	-	-	●	●
Input configuration	●	●	●	●	●	●
Output configuration	●	●	●	●	●	●
Voltage measurement Gen. / Mains	3 ph / -	3 ph / -	3 ph / -	3 ph / -	3 ph / 3 ph	3 ph / 3 ph
Current measurement	3 ph	3 ph, IDMT overcurrent	3 ph	3 ph, IDMT overcurrent	3 ph	3 ph, IDMT overcurrent
kW/kWh measurement	● / -	● / ●	● / -	● / ●	● / -	● / ●
GCB/MCB control with feedback	- ²⁾ / -	- ²⁾ / -	● ¹⁾ / -	● ¹⁾ / -	● / ●	● / ●
Extension units (periph.)	-	IGL-RA15, IG-IOM, IGS-PTM	-	IGL-RA15, IG-IOM, IGS-PTM	-	IGL-RA15, IG-IOM, IGS-PTM
Communication interfaces	RS232 ³⁾	RS232, CAN ⁴⁾	RS232 ³⁾	RS232, CAN ⁴⁾	RS232 ⁴⁾	RS232, CAN ⁴⁾
Modem support	-	●	-	●	-	●
Battery charging alternator circuit	●	●	●	●	●	●

- Key: ● included / - excluded
- 1) Manual/Automatic GCB control, but without feedback
 - 2) Automatic GCB control without feedback
 - 3) AT-LINK CONV cable necessary
 - 4) CAN for extension modules

Legend: IG-IOM/IGS-PTM: I/O extension modules
IGL-RA15: Remote annunciator
I-RD: Remote display

Ruitai Industry Co.,Ltd

TEL:+86 577 80221899 FAX:+86 577 56667563

EMAIL:sales@china-avr.com WEB:http://www.china-avr.com

ADD:No.1402 Unit 15 Group 2 Xintianyuan, Xincheng Wenzhou 325000,Zhejiang China

Professional manufacturer of Stamford AVR, Leroysoemer AVR R250, Marthon AVR, Siemens AVR, Deep Sea Starting System, Cummins speed control, Load Sharing module, Cummins Actuators, GAC Actuators, Caterpillar AVR VR6, Mecc Alte AVR SR7, rectifier SSAYEC432, Diode Bridge 330-25777, Blaser AVR AVC63-7, Kutai AVR EA05A, SS053, MARELLI AVR M16FA655A, DSE5120, DSE5220, DSE5110, DSE501K, DSE704, etc.